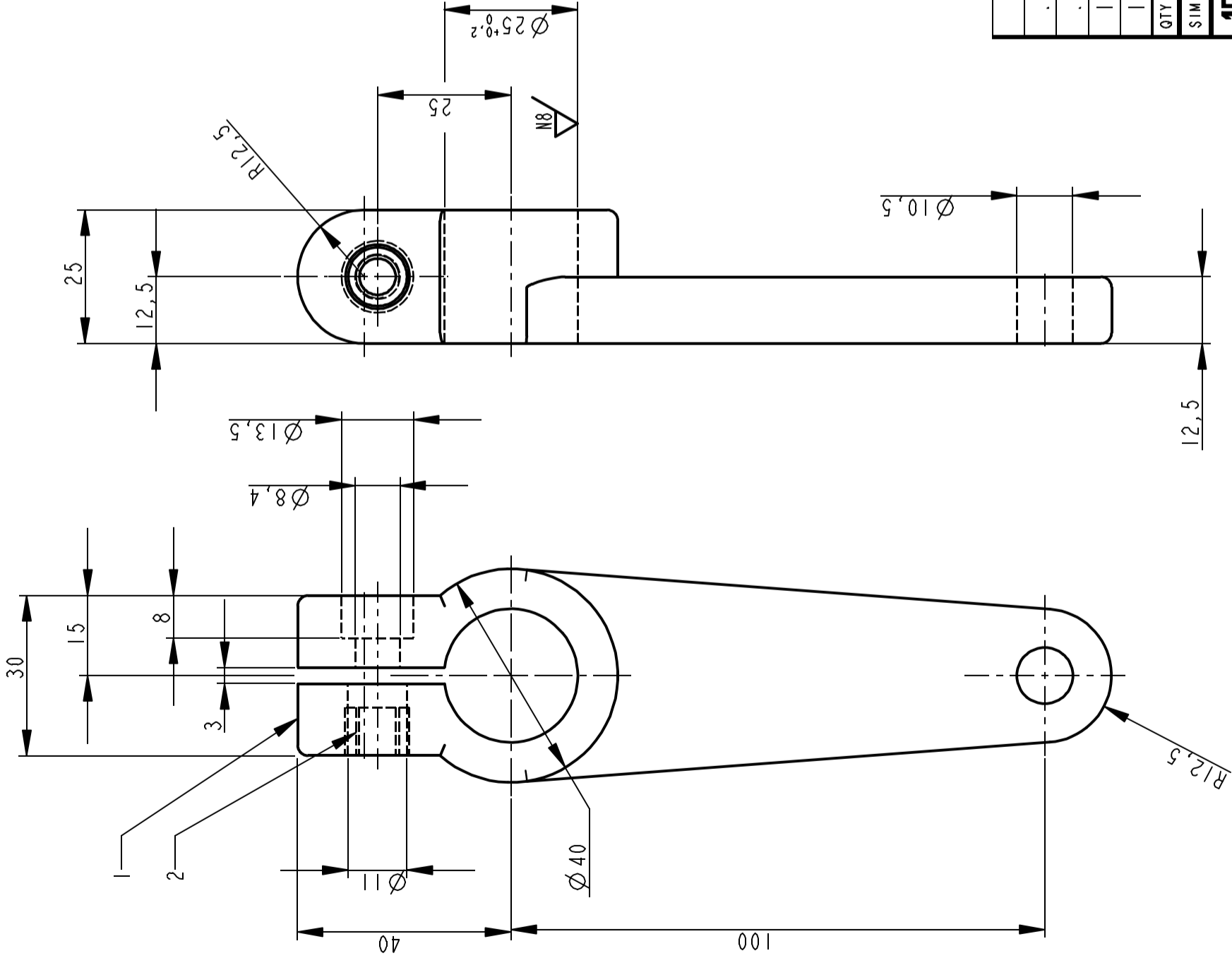


PAINT VISIBLE COLOR



CAUTION
EUROPEAN TYPE
PROJECTION USED



QTY	DESCRIPTION	MATERIAL	ITEM	ARTICLE NO.
1	THREADED INSERT	M8	2	0031.0375.
1	ROLLER LEVER	CASTING	AL 319	0231.1200.9
SIMILAR TO:		SUPERSEDED BY:		SUPERSEDES:
1509		DFT: 7/3/96 BOB		IE:
SCALE		ENGR:		MF:
1 : 1		NORM:		ASK:

MULLER MARTINI
MANUFACTURING CORP. NEWPORT NEWS

0231.1200.3C